

# Outdoor IR Panoramic

**Bullet Network Camera**

MODEL: InSight S385PI



180° Ultra  
Wide Angle

Active  
Defense

People & Vehicle  
Analytics\*\*

Human & Vehicle  
Classification

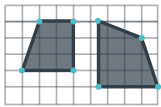
IP67  
Weatherproof

## // Human & Vehicle Classification

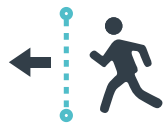
Intelligently distinguishes humans and vehicles from other objects, so you receive more accurate event notifications.



## // Smart Detection



Intrusion  
Detection



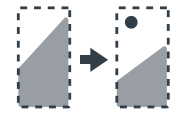
Line-Crossing  
Detection



Object Removal  
Detection



Object Abandoned  
Detection



Scene Change  
Detection



Region Entering  
Detection



Region Exiting  
Detection



Loitering  
Detection

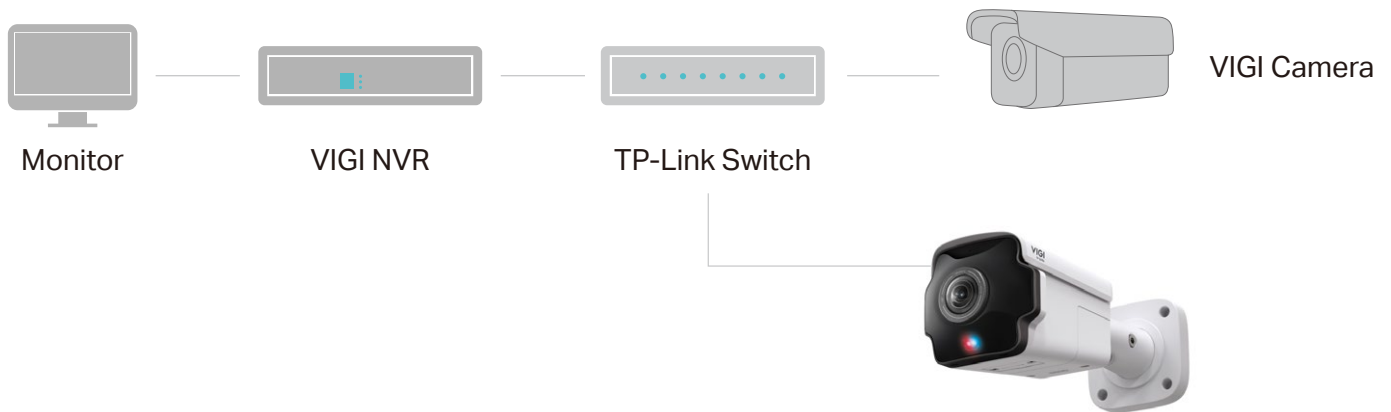


Abnormal Sound  
Detection

## // VIGI Surveillance Solution

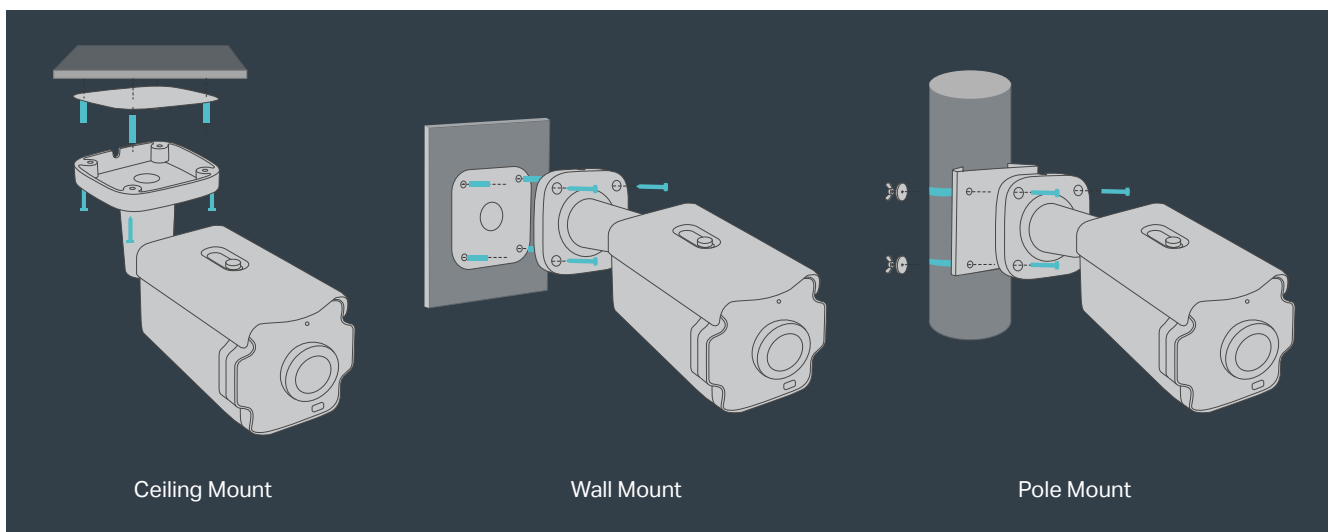
The VIGI professional surveillance system by TP-Link is dedicated to protecting the business that you've worked hard to build—whenever, wherever.

Outstanding functions, reliable quality guarantees, and simplified installation work together to ensure your business stays safe and sound.



## // Flexible Installation

Find the perfect vantage point by simply securing your camera to the ceiling, wall, or pole.\*



## // Specifications

Camera	
Product Model	InSight S385PI
Image Sensor	1/2.7" Progressive Scan CMOS
Shutter Speed	1/3 to 1/10000 s
Slow Shutter	Yes
Min. Illumination	0.005 Lux; 0 Lux with IR Light
Day/Night Mechanism	IR Cut Filter
Day/Night Switch	Unified/ Scheduled/ Auto
Lens	
Type	Fixed Focal Lens
Focal Length	1.65 mm
Aperture	F2.0
FOV	<ul style="list-style-type: none"><li>• Horizontal FOV: 180°</li><li>• Vertical FOV: 86°</li><li>• Diagonal FOV: 180°</li></ul>
Lens Mount	M12
DORI Distance	1.65mm: <ul style="list-style-type: none"><li>• D: 44m(144.36 ft)</li><li>• O: 18.33m(60.15 ft)</li><li>• R: 8.8m(28.87 ft)</li><li>• I: 4.4m(14.44 ft)</li></ul>
Angle Adjustment (Manual)	
Range	Pan: 0° to 360°, Tilt: 0° to 90°, Rotation: 0° to 360°
Illuminator	
IR LED	<ul style="list-style-type: none"><li>• Quantity: 4</li><li>• Range: 20m (65.62ft)</li><li>• Wavelength: 850nm</li></ul>
Illuminator On/Off Control	Auto/Scheduled/Always on/Always off

Video	
Max. Resolution	3840 x 2160
Main Stream	<ul style="list-style-type: none"> <li>• Frame Rate: 50Hz: 1fps, 5fps, 10fps, 15fps, 20fps, 25fps 60Hz: 1fps, 5fps, 10fps, 15fps, 20fps, 25fps, 30fps</li> <li>• Resolution: 3840x2160, 2560x1440, 2304x1296, 2048x1280, 1920x1080, 1280x720</li> </ul> <p>Note: If the image rotation is set to 90° or 270°, the frame rate only supports up to 20fps.</p>
Sub-Stream	<ul style="list-style-type: none"> <li>• Frame Rate: 50Hz: 1fps, 5fps, 10fps, 15fps, 20fps, 25fps 60Hz: 1fps, 5fps, 10fps, 15fps, 20fps, 25fps, 30fps</li> <li>• Resolution: 848x480,704x576, 640x480, 640x360,352x288, 320x240</li> </ul> <p>Note: If the image rotation is set to 90° or 270°, the frame rate only supports up to 20fps.</p>
Bit Rate Control	CBR, VBR
Video Compression	<ul style="list-style-type: none"> <li>• Main Stream: H.265+/H.265/H.264+/H.264</li> <li>• Sub-Stream: H.265/H.264</li> </ul>
H.264 Type	High Profile
H.264+	Main Stream Supported
H.265 Type	Main Profile
H.265+	Main Stream Supported
Video Bit Rate	<ul style="list-style-type: none"> <li>• Main Stream: 256 Kbps to 8 Mbps</li> <li>• Sub-Stream: 64 Kbps to 1024 Kbps</li> </ul>

Image	
Image Settings	<ul style="list-style-type: none"> <li>• Mirror</li> <li>• Brightness</li> <li>• Contrast</li> <li>• Saturation</li> <li>• Sharpness</li> <li>• Exposure</li> <li>• WDR</li> <li>• White Balance</li> <li>• Prevent Overexposure to Infrared Light</li> <li>• HLC Adjustable by Client Software</li> </ul>
Image Enhancement	BLC/3D DNR/HLC/SmartIR
Wide Dynamic Range	120dB
SNR	≥ 52 dB
Image Parameters Switch	Yes
Privacy Mask	Up to 4 Masks
ROI	4 Regions
OSD Setting	Yes
Audio	
Audio Communication	Two-Way Audio
Audio Input	Yes (Built-in Microphone)
Audio Output	Yes (Built-in Speaker)
Audio Compression	Yes
Audio Sampling Rate	8KHz
Environment Noise Filtering	Yes
Audio Bit Rate	64 Kbps (G.711 alaw)
Network	
Protocols	TCP/IP, UDP, ICMP, HTTP, HTTPS, DHCP, DNS, RTSP, NTP, UPnP UDP, SSL/TLS, FTP/SFTP, RTP, IPv4, IPv6, ARP, SMTP, SNMP, 802.1x
ONVIF	Yes
API	Open Network Video Interface (Profile S/T/G)

Simultaneous Live View	3 Main Streams & 3 Sub-Streams
Client	VIGI App, Web UI, VIGI VMS, VIGI Cloud VMS
Web Browser	<ul style="list-style-type: none"> <li>• Google Chrome® 57 and above</li> <li>• Firefox® 52 and above</li> <li>• Safari® 11 and above</li> <li>• Microsoft® Edge 91 and above</li> </ul>
Cloud	Yes
Security	Password Protection, HTTPS Encryption, IP Address Filter, Digest Authentication
<b>Alarm and Event Management</b>	
Smart Event	<ul style="list-style-type: none"> <li>• Intrusion Detection</li> <li>• Line-Crossing Detection</li> <li>• Region Entering Detection</li> <li>• Region Exiting Detection</li> <li>• Object Abandoned Detection</li> <li>• Object Removal Detection</li> <li>• Loitering Detection</li> <li>• People Detection</li> <li>• Vehicle Detection</li> <li>• Abnormal Sound Detection</li> <li>• Scene Change Detection</li> </ul>
Basic Event	<ul style="list-style-type: none"> <li>• Motion Detection (Enhanced with Human &amp; Vehicle Classification for more accurate alerts)</li> <li>• Video Tampering Detection</li> <li>• Exception ( Illegal Login)</li> <li>• Alarm Input Device</li> </ul>
Alarm Linkage	<ul style="list-style-type: none"> <li>• Memory Card Video Recording</li> <li>• Upload to FTP server</li> <li>• Alarm Output device</li> <li>• Push Notifications</li> <li>• Send to Alarm Server</li> <li>• Active Defence-Sound Alarm</li> <li>• Active Defence-Light Alarm</li> <li>• Email Alarm</li> </ul>

Power	
Typical Power Consumption	<ul style="list-style-type: none"> <li>• Day Mode: 8.9W(DC) / 11W(PoE)</li> <li>• Night Mode with IR LED: 11.5W(DC) / 14.5W(PoE)</li> </ul>
Maximum Power Consumption	<ul style="list-style-type: none"> <li>• 18W(DC)</li> <li>• 21W(PoE)</li> </ul>
Deep Learning Function	
People & Vehicle Analytics	Search and filter to people or vehicle of interest based on many different attributes, making post-event search faster and easier. *3
Interface	
Network Interface	1 RJ45 10/100M Self-Adaptive Ethernet Port, PoE
On-board Storage	Built-In Memory Card Slot, Support MicroSD Card, up to 512 GB*1
Built-in Speaker	Yes
Built-in Microphone	Yes; Records Anything Going on within a 15-ft Radius of the Camera
Audio	1 Audio In, 1 Audio Out
Alarm	1 Alarm In, 1 Alarm Out Red-Blue Warning Lights
Reset Button	Yes
Power	DC Power Port
General	
Operating Temperature	-30 °C–60 °C
Storage Temperature	-40 °C–60 °C
Operating Humidity	95% or Less (Non-Condensing)
Storage Humidity	95% or Less (Non-Condensing)
Package Contents	<ul style="list-style-type: none"> <li>• VIGI Network Camera</li> <li>• Quick Start Guide</li> <li>• Waterproof Cable Attachments</li> <li>• Mounting Accessories</li> </ul>
Power Supply	<ul style="list-style-type: none"> <li>• 12V DC, 1.5 A, 18W</li> <li>• PoE: 802.3 at</li> </ul>
Protection	IP67 Weatherproof, IK10 Vandal Proof



Material	Metal
Net Weight	1.01Kg
Product Dimensions	10.5 × 3.9 × 4 in (266 × 100 × 101 mm)
Certifications	CE, NTRA, VCCI, KC, BSMI, FCC, IP67, IK10, ONVIF

## Build Features



\*1 The micro SD card and pole mounting kits are not included in the package.

\*1 The Micro SD card and pole mounting kits are not included in the package.

\*2 AI-trigger notification supports playback of specific event clips, notifications triggered by external alarm devices only support live view.

\*3 This feature is in development and will update with future software iterations.

\*4 Calculations based on laboratory testing using a 3MP VIGI camera, and an actual performance may vary according to the amount of activity recorded, resolution and other variables.