

Network Video Recorder

NVR304-S-P Series



Key Features

- Support Ultra265/H.265/H.264 video formats
- 16/32-channel input
- Plug & Play with 16 independent PoE network interfaces
- Third-party IP cameras supported with ONVIF conformance: Profile S, Profile G, Profile T
- Support HDMI and VGA simultaneous output
- Up to 8 Megapixels resolution recording
- 4 SATA HDDs, up to 10TB for each HDD
- ANR technology to enhance the storage reliability when the network is disconnected
- Support cloud upgrade

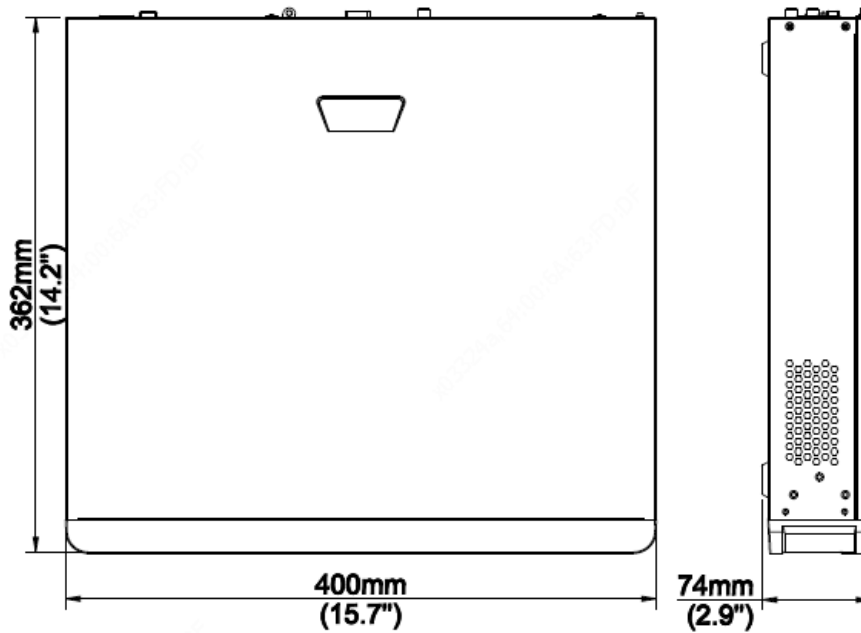
Specifications

Model	NVR304-16S-P16	NVR304-32S-P16
Video/Audio Input		
IP Video Input	16-ch	32-ch
Two-way Audio Input	1-ch, RCA	
Network		
Incoming Bandwidth	160Mbps	
Outgoing Bandwidth	64Mbps	
Remote Users	128	
Protocols	P2P, UPnP, NTP, DHCP, PPPoE, HTTP, HTTPS, SMTP, NTP, SNMP, RTSP, IPv4, IPv6, ONVIF	
Video/Audio Output		
HDMI/VGA Output	HDMI: 4K (3840x2160@30), 1920X1080@60, 1920X1080@50, 1600X1200@60, 1280X1024@60, 1280X720@60, 1024X768@60 VGA: 1920X1080@60, 1920X1080@50, 1280X1024@60, 1280X720@60, 1024X768@60	
Recording Resolution	8MP/6MP/5MP/4MP/3MP/1080p/960p/720p/D1/2CIF/CIF	
Audio Output	1-ch, RCA	
Synchronous Playback	16-ch	32-ch
Corridor Mode Screen	3/4/5/7/9/10/12/16	3/4/5/7/9/10/12/16/32
Decoding		
Decoding format	Ultra265/H.265/H.264	
Live view/Playback	8MP/6MP/5MP/4MP/3MP/1080p/960p/720p/D1/2CIF/CIF	
Capability	2 x 4K@30, 4x 4MP@30, 5 x 3MP@30, 8 x 1080P@30, 16 x 720P@30	2 x 4K@30, 4x 4MP@30, 5 x 3MP@30, 8 x 1080P@30, 16 x 720P@30, 32 x D1@30
Hard Disk		
SATA	4 SATA interfaces	
Capacity	Up to 10TB for each disk	
Smart		
VCA Detection	Face detection, Intrusion detection, Cross line detection, Audio detection, Defocus detection, Scene change detection, Auto tracking, Object Left Behind, Object Removed	
VCA Search	Face search, Behavior search	
Statistical Analysis	People counting	
External Interface		
Network Interface	1 RJ-45 10M/100M/1000M self-adaptive Ethernet Interface	
USB Interface	Front panel: 1 x USB2.0, Rear panel: 1 x USB3.0	
Serial Interface	1 x RS485	
Alarm In	16-ch	
Alarm Out	4-ch	
PoE		
Interface	16 RJ-45 self-adaptive Ethernet Interface	
Max Power	Max 30W for single port Max 240W in total	
Supported Standard	IEEE 802.3af/at	

General

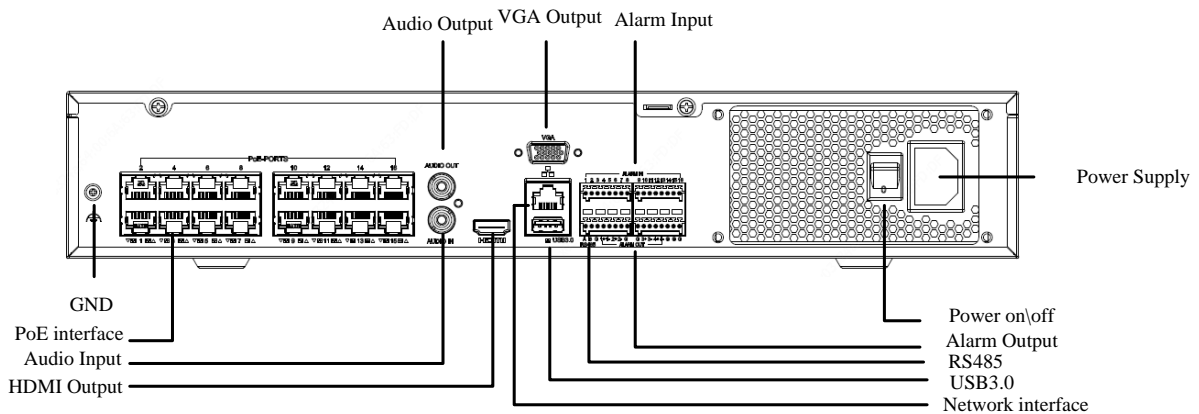
Power Supply	100 ~ 240 V AC Power Consumption: ≤15W(without HDD)
Working Environment	-10°C~+ 55°C (+14°F~+131°F), Humidity ≤ 90% RH (non-condensing)
Dimensions (W×D×H)	400mm ×362mm × 74mm (15.7" × 14.2" ×2.9")
Weight (without HDD)	≤5kg (5.29lb)

Dimensions



Rear Panel

Take **NVR304-16S-P16** for example





Zhejiang Uniview Technologies Co., Ltd.

Building No.10, Wanlun Science Park, Jiangling Road 88, Binjiang District, Hangzhou, Zhejiang, China

Email: overseasbusiness@uniview.com; globalsupport@uniview.com

<http://sgcdn.uniview.com>

©2020 Zhejiang Uniview Technologies Co., Ltd. All rights reserved.

* Product specifications and availability are subject to change without notice.